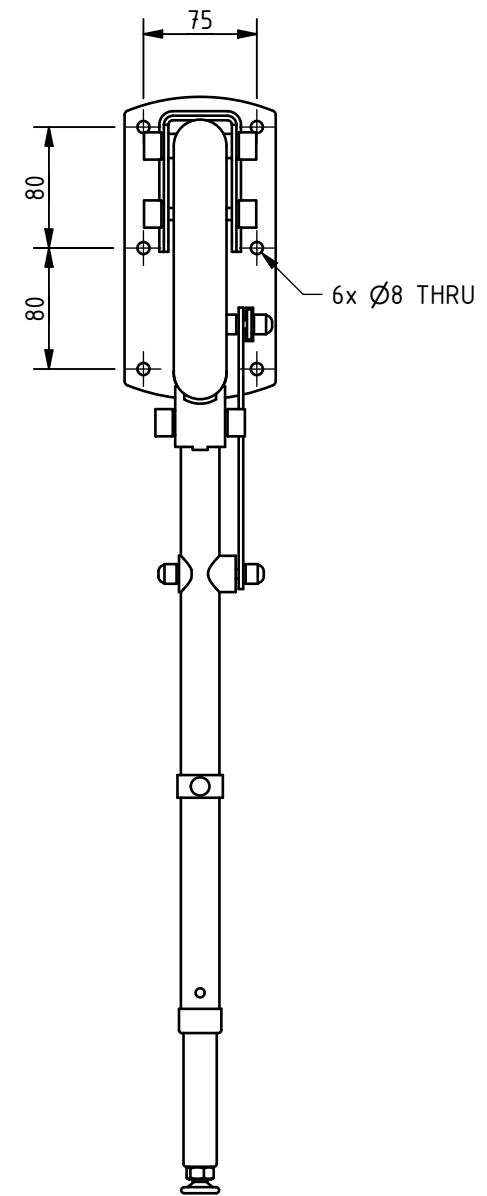
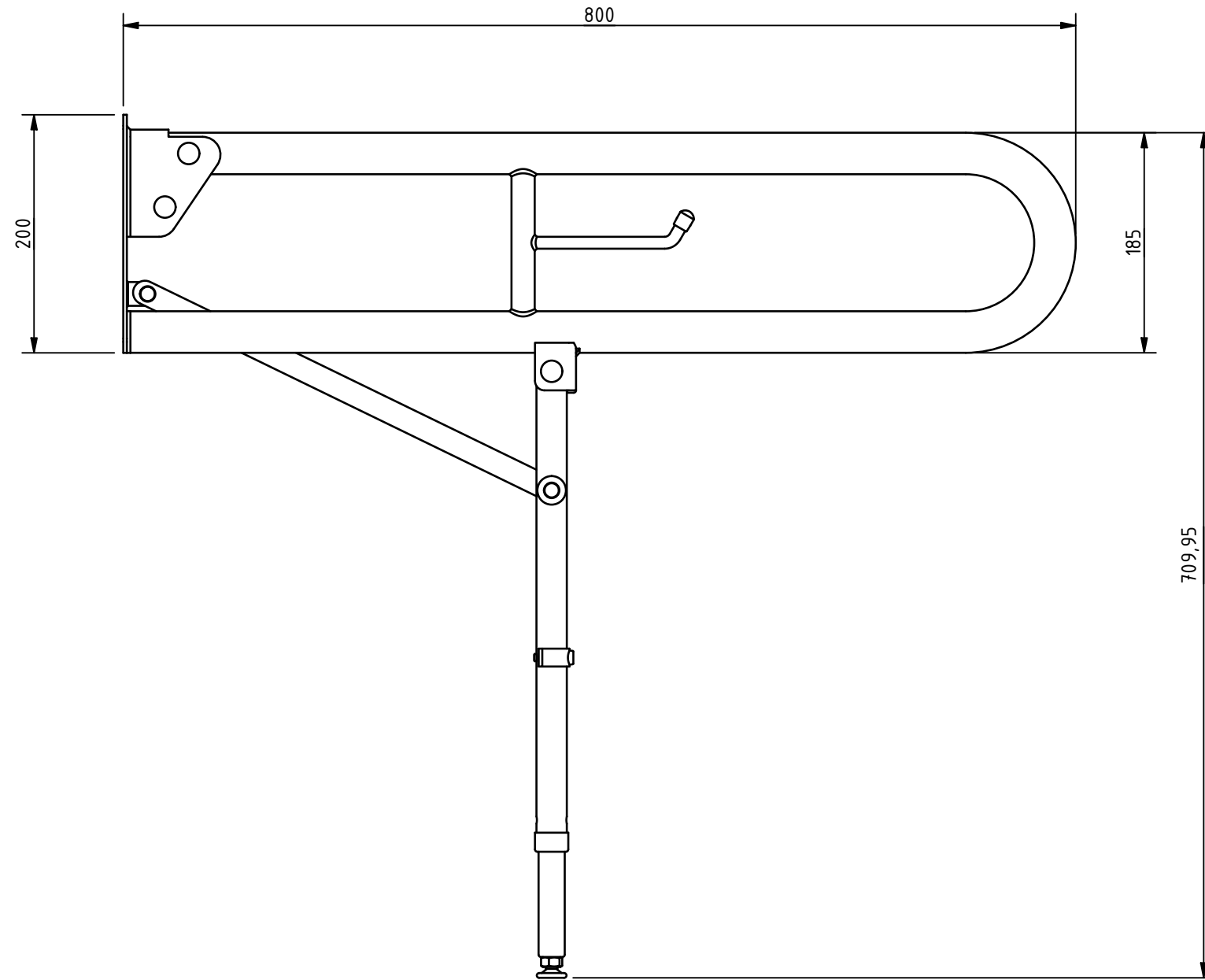
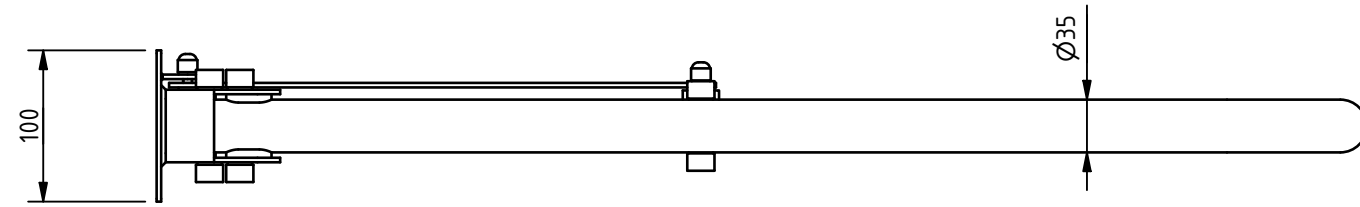


PRODUCT INFO: DDGR-BP - TROMBONE LIFT AND LOCK HINGED SUPPORT RAIL, STEEL, TOILET ROLL HOLDER, LEG, 800mm

ALL DIMENSIONS ARE IN mm UNLESS STATED OTHERWISE



MKT-DDGR-BP REV 1

DISCLAIMER: NYMAS GROUP MAKES EVERY EFFORT TO ENSURE THAT THE INFORMATION PROVIDED ON THIS DRAWING IS CORRECT. HOWEVER, WE CANNOT GUARANTEE THIS, AND ACCEPT NO LIABILITY FOR ANY INFORMATION OR ADVICE GIVEN ON THIS DRAWING.

NYMAS GROUP