

## Trombone hinged support rail with leg



Trombone hinged support rail with leg, 800mm

DDGR-BP

Trombone hinged support rail with leg, 550mm

112155

Colours: White (WH), Electric Blue (EB), Dark Blue (DB), Grey (GY), Dark Grey (DG)

**Congratulations on the purchase of your rail. This rail has been designed to provide users with extra support while moving from one position to another and assists with the independent standing/sitting of persons.**

### Warnings:

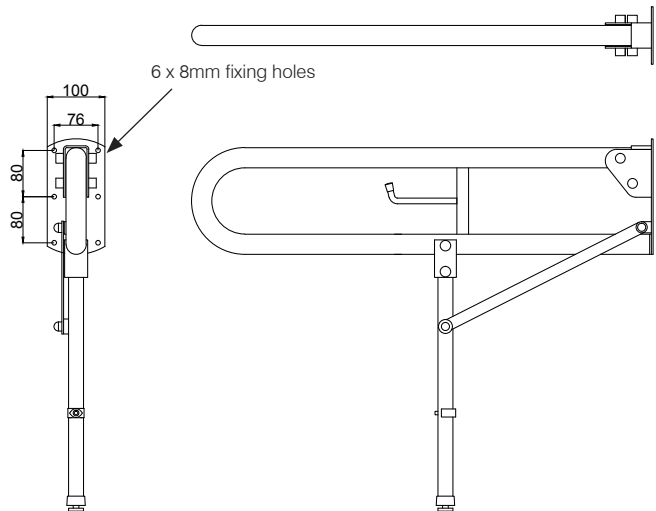
- Always read the installation, operating and maintenance instructions.
- Due to manufacturing tolerances we do not recommend pre-drilling fixing holes before physically receiving this product.
- A thorough check must be carried out on receiving delivery of this product and report any defects immediately.
- Opening the packaging without due care and attention could result in damage to the product or injury to yourself or others.
- This product must be stored in a dry place, the right way up and not stacked under other equipment on site.
- The wall/floor on which the rail is installed must be flat and capable of taking the load.
- Installation must be carried out by a qualified tradesman using suitable fixings for the wall substrate.
- Never alter the fixing holes as this could affect the strength and integrity of the rail.
- Improper installation / use can cause accidents and injuries. Make sure the leg folds out to a vertical position after the rail has been folded down.
- IEE electrical earthing regulations may apply to this product. Consult a qualified electrician.
- This rail should not be installed in wet or humid environments as this may result in rust issues.
- The Max Rated Load is 200kg
- Beware after installation a functional test must be carried out prior to use and recheck the leg is in a vertical position.
- Beware these instructions should be retained by the user of the product for its whole life time.
- Ensure that the adjustable leg is extended to the correct length for fitted height of the rail prior to use.
- Never adjust the leg height after the rail has been fixed to the wall as this may make the rail unsafe to use.
- Do not unscrew the rubber foot any more than 30mm, the thread showing should be 30mm or less.
- Do not use the rail for any purpose other than that for which it was designed.
- Do not use the rail if damaged / not securely fixed to the wall as this may cause injury.
- Keep poly bag packaging away from children.
- Beware the rail should not be subjected to impact.
- Beware due to trap hazards, ensure no part of the body is under, in the way of or in-between the rail mechanisms before folding the rail.
- Ensure the rail folding mechanism instruction is adhered to. To prevent damage to the mechanism.
- Do not use as a support unless rail is in the horizontal position.
- Ensure the rail is locked in its vertical position after being folded up.
- Beware to maintain the integrity and functionality of this product, regular cleaning and inspection is necessary.
- This rail is designed to offer support to the user and should not be used in a way that would apply the users' full weight to the rail.
- The toilet roll holder is designed to be used for its sole purpose and weight must not be applied to it.
- If in doubt, carry out your own risk assessment for each installation.

# Installation and Operating Instructions

## Installation:

**Installation should be carried out by a suitably qualified tradesman using correct fixings for the wall substrate. Fixings are not supplied with this product to allow the correct fixing method to be selected for specific installations. Consult a fixing manufacturer if unsure of which type of fixings to use.**

- 1) Once the correct wall fixings have been selected, 6 x 8 mm fixings should be employed in the locations shown.
- 2) Offer the rail up to the wall at the height required and adjust the leg height so that the rail is level horizontally when folded down.
- 3) Mark the fixing hole locations.
- 4) Drill the holes in the wall of a diameter and depth recommended by supplier of wall fixings. Make sure the leg is in a vertical position before fixing the rail into position.
- 5) Fine levelling adjustment can be made by using the threaded foot. Tighten the nut up to the leg once the levelling adjustments have been made.
- 6) Always clean any dust from installations off the hinged mechanism especially. To ensure the lift and lock mechanism works smoothly.
- 7) Always carry out a functional test after installation and report any issues immediately. This includes moving the rail through a number of cycles of use to ensure it moves freely and locks in its vertical position.
- 8) Please leave these instructions with the user.



---

## Using this product:

Always check this rail is fitted securely to the wall and shows no signs of wear or damage prior to use. Unlock the rail by lifting up before lowering down gently. To fold the wall up against the wall, slowly lift the arm up towards the wall until it is secured into the vertical locked position. Please keep these instructions in a safe place for future use. These instructions are available in braille if required.

---

## Cleaning and maintenance:

This rail must be checked regularly by a qualified personnel to ensure that it is in perfect working order. This rail can be cleaned using only a very mild detergent. Do not use acidic, alkaline, chlorine based or abrasive cleaning materials.

---

## Packaging:

This rail is supplied in a plastic (LDPE) bag and cardboard box to keep the product unsoiled until installation. Both are suitable for recycling operations and should be disposed of in accordance with local recycling regulations.

---

## Warranty:

The standard of manufacture and quality control allows Nymas to offer warranties on all products. The W symbol denotes the number of years covered if different to the standard 1 year warranty. Where L appears this means the product is guaranteed for life (terms and conditions apply).

---

## Disclaimer:

Nymas pursues a policy of continuing improvement in design and performance of its products and so reserves the right to change specifications without prior notice. The information contained on this document was correct at date of issue and dimensions are provided as a guide only. Some variation may occur due to manufacturing tolerances.

We accept no liability whatsoever for personal injury or damage to property that is or has been caused due to incorrect assembly, installation, or use of this product. Failure to install / use this product in line with these instructions will invalidate any warranty and may affect product safety.