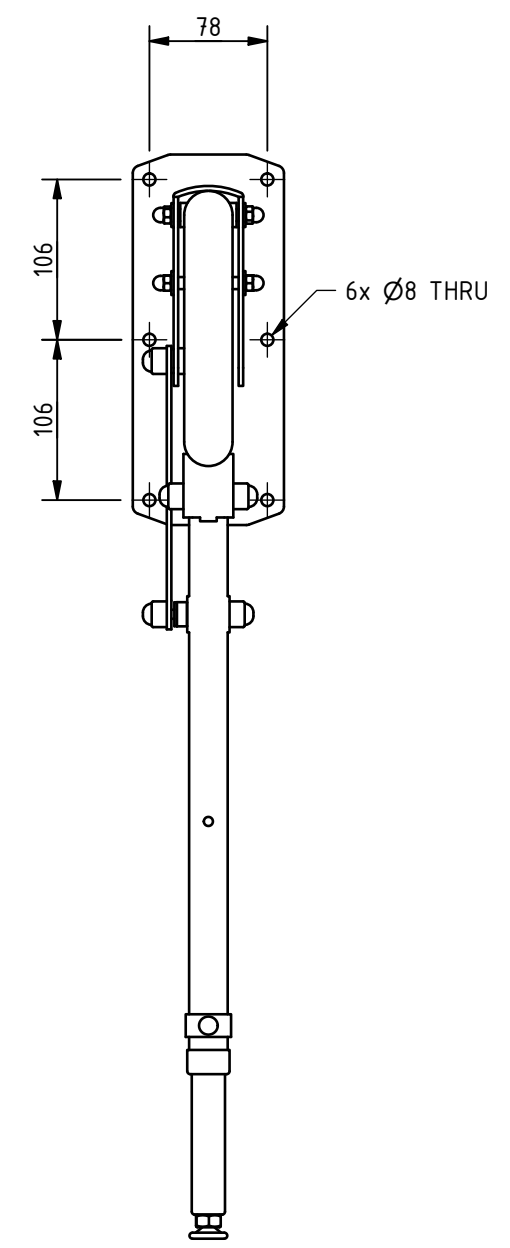
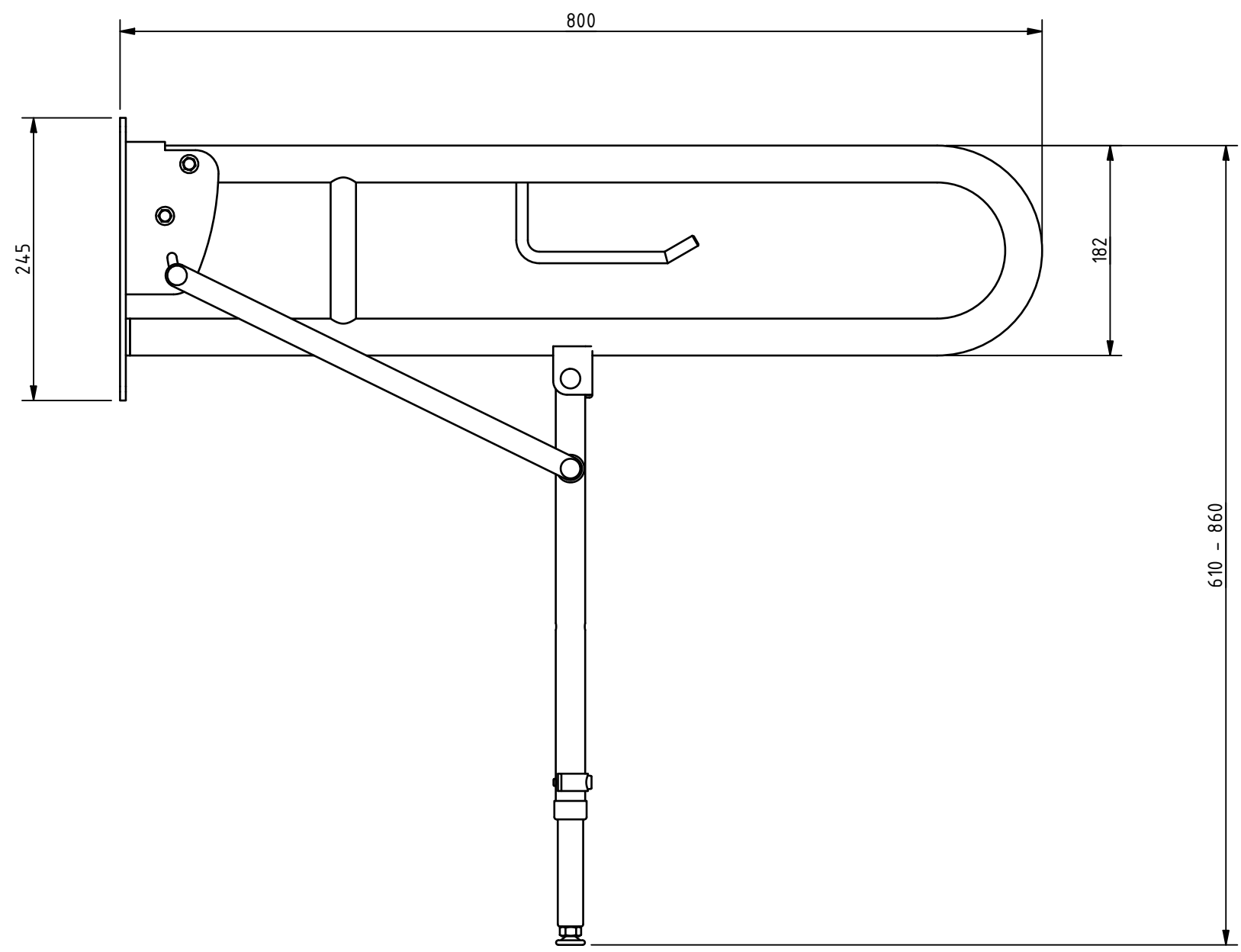
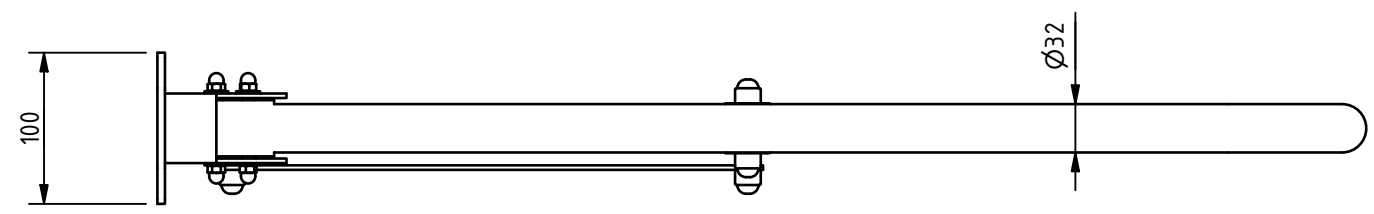


PRODUCT INFO: 211580 - STAINLESS STEEL LIFT AND LOCK HINGED SUPPORT RAIL WITH LEG AND INTEGRAL TOILET ROLL HOLDER, 800mm ALL DIMENSIONS ARE IN mm UNLESS STATED OTHERWISE



MKT-211580 REV 1

DISCLAIMER: NYMAS GROUP MAKES EVERY EFFORT TO ENSURE THAT THE INFORMATION PROVIDED ON THIS DRAWING IS CORRECT. HOWEVER, WE CANNOT GUARANTEE THIS, AND ACCEPT NO LIABILITY FOR ANY INFORMATION OR ADVICE GIVEN ON THIS DRAWING.

NYMAS GROUP